



**250KG**  
**500KG**  
**800KG**  
**1.6 TONNE**

MODEL CAPACITIES

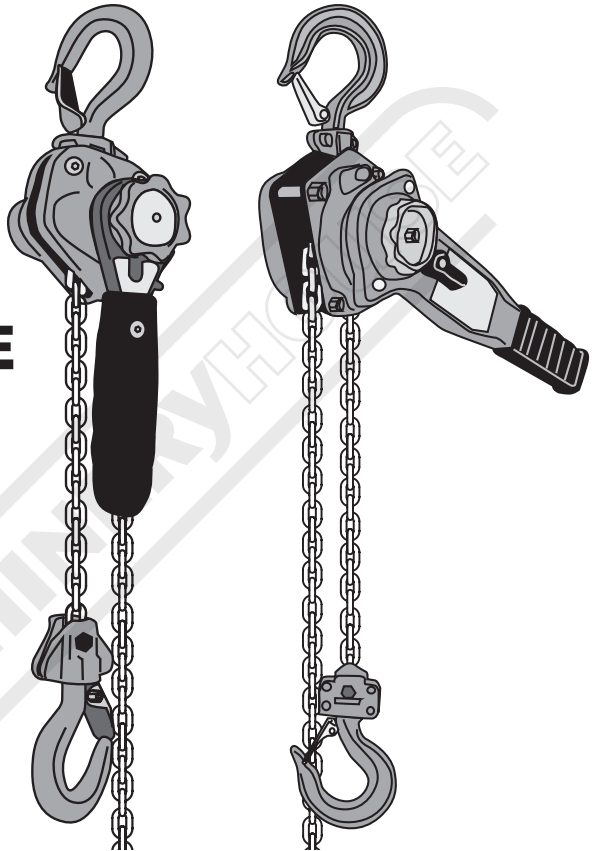
**1.5** **METRE**  
LIFT HEIGHT



Suitable for underground mining

COMPLIES TO **AS 1418.2**

Edition : 1.0  
Date: (08/25)



## Instruction Manual

# LEVER BLOCKS

## HLB250, HLB500, HLB800, HLB1600

Order Code: (C155, C156, C157, C158)

## INTRODUCTION

### CONGRATULATIONS ON YOUR HAFCO CHAIN LEVER BLOCK PURCHASE

Thank you for choosing the HAFCO Lever Block a robust and heavy-duty hoisting device engineered to maintain reliable performance under standard operating conditions. To ensure optimal performance and longevity, we recommend implementing a routine of correct usage, regular maintenance, and proper lubrication.

Before installing, operating, or servicing your HAFCO Chain Lever Block, please read this manual thoroughly. All tasks involving operation, installation, or maintenance should only be carried out by trained and competent personnel. Failure to follow the guidelines outlined in this manual may result in personal injury and/or property damage.

To comply with statutory requirements and to maximise the efficiency and safety of your equipment, we recommend conducting a comprehensive maintenance inspection every 12 months.

### COMPLIANCE AND PRE-OPERATIONAL CHECKS

Your HAFCO Chain Lever Block has been tested and is compliant with Australian Standard AS 1418.2 nicks and gouges. If shipping damage has occurred, contact your local supplier.

1. Before placing the hoist into regular service following installation, the following pre-operational checks must be performed:
2. Ensure all joints and fasteners are correctly tightened and securely fixed.
3. Operate the hoist under both no-load and full-load conditions to verify smooth and consistent performance.
4. Test the hoist brake function under both light and full load to confirm reliable operation.

## INSTRUCTIONS

### FREE CHAIN ADJUSTMENT SYSTEM – PRINCIPLE AND OPERATION

Warning!- Improper use of the chain lever block can result in serious injury or death. To prevent accidents, please observe the following precautions:

- Never operate the free chain adjustment mechanism while a load is applied.
- Never touch the free adjustment knob during lifting or lowering operations.

#### Important Note:

The brake system engages automatically during lifting and lowering. Free chain adjustment is only possible when there is **no load** on the hoist. During free chain adjustment, the brake is temporarily disengaged to allow repositioning of the load hook.

#### Free Chain Adjustment Procedure

1. Set the change-over knob to the “N” (Neutral) position. This knob is located beneath the free adjustment knob on the hand lever.
2. Gently rotate the Free knob in the desired direction.
3. Pull the load chain manually to reposition the hook to the required location.
4. Set the change-over knob to either “Up” or “Down” to re-engage the brake. The lever block is now ready for normal lifting or lowering operation.

## PRINCIPLE OF LIFTING AND LOWERING OPERATION

The lifting and lowering functions are controlled by the change-over knob, which must be set to either “UP” or “DOWN” as required. Once set, operating the hand lever causes the internal female thread and change-over pawl to engage, rotating in the corresponding direction. When lever movement stops, the internal brake automatically engages to securely hold the load in position

## OPERATING THE LEVER BLOCK - To Lift or lower a load:

Function	Change Over Knob Position	Hand Lever Movement
Raise	UP	Clockwise
Lower	DOWN	Counter-Clockwise

### Important Notes:

Note 1: If the hand lever does not initiate lifting, pull down on the load chain while operating the lever to remove any slack from the system.

Note 2 – Pre-Load Requirement: A pre-load is the minimum weight that must be applied to activate the braking mechanism. For HAFCO lever blocks, the pre-load is set between 2% – 4% of the Working Load Limit (WLL). Refer to the table below:

Model Capacity	Approx. Pre-Load Required
250kg	5-10kg
500kg	10-20kg
800kg	16-32kg
1.6 tonne	32-64kg

## SAFETY PRODCEDURES

### Prohibited Practices – DO NOT:

- **Do not exceed the rated capacity** of the lever block under any circumstances.
- **Do not heat treat or weld** any part of the lever block, especially the load chain.
- **Do not leave a suspended load unattended** at any time.
- **Do not subject the lever block, load chain, or hooks to shock loading.**
- **Do not operate the lever block** unless it is **rigged in a straight line from hook to hook**, and the frame is **free to swivel** on the upper hook.
- **Do not hold the load chain under load while operating the lever block** — serious injury may occur if the brake fails to engage properly.
- **Do not wrap the load chain around the load and hook onto itself** (i.e., do not use the chain as a choker), and **do not allow the load to come into contact with the lever block.**
- **Do not use the lever block to lift or transport people**, or to **lift loads over people.**
- **Do not take up the load chain** to the point where the **end ring or lower hook becomes jammed** against the frame.
- **Do not use an extension pipe or “cheater bar”** on the lever handle to increase force — this may damage the unit and cause serious injury.

## CARE AND SAFE USE GUIDELINES

### Prohibited Practices – DO NOT:

1. **Always inspect the hoist thoroughly before each use** — your safety depends on it. Check for signs of cracks, deformation, or damage, especially on the hooks and load chain.
2. **Keep the load chain clean and well-lubricated** to minimise wear and prolong service life. Avoid dragging the chain through dirt, mud, or debris during operation.
3. **For outdoor or corrosive** environments, ensure the hoist is frequently and properly lubricated to prevent rust and ensure smooth operation.
4. Never operate the hoist without a clear line of sight to the bottom hook and the load. This is essential for safe and controlled lifting.

### **Important Safety Note:**

If a load hook shows signs of deformation due to **overloading**, it is highly likely that the internal lifting mechanism has also sustained damage. **Immediately remove the hoist from service** and have it inspected by a qualified technician. Continued use may lead to equipment failure and serious injury.

## MAINTENANCE REQUIRMENTS

The maintenance procedures outlined in this manual are intended to serve as a guide for competent and experienced personnel.

**HARE & FORBES** accepts no responsibility for the way these instructions are followed or for any resulting consequences. To ensure safe and reliable operation, your HAFCO Lever Block dealer recommends the following two types of routine maintenance:

### 1. Visual Inspection – Prior to Each Use

- Refer to the inspection checklist on page 7 for required pre-use checks.
- These visual checks may be carried out by the operator and should be performed before each use of the lever block.

### 2. Certified Inspection – Every 12 Months

- A full service and inspection must be conducted annually by an authorised HAFCO distributor or qualified service personnel.
- This certified inspection must comply with the requirements of Australian Standard AS 1418.2 and includes a comprehensive assessment of internal and external components.

### Important:

- Always store the unit in a clean, dry location when not in use.
- All repairs and maintenance must be performed by qualified technicians, using only genuine replacement parts specified by HAFCO.

### **Warning – Care & Maintenance**

Failure to maintain the lever block correctly may result in serious injury, equipment failure, or non-compliance with safety standards.

## INSPECTION CHECKLIST

This table outlines the key inspection points, recommended inspection type, and the expected outcome to ensure safe and proper operation of the HAFCO Chain Lever Block.

Inspection Point	Type of Inspection	Expected Outcome
Top/Bottom Hook – Deformation	Visual	No visible deformation. Safety catch should close securely against the tip of the hook.
Neck of Hook – Alignment	Visual	Hook should hang square to the lifting unit or bottom block side plates.
Suspension Pin	Visual	No signs of bending, cracks, or excessive wear
Side & Suspension Plates	Visual	Plates should be free from cracks, damage, or wear.
Rivets, Bolts & Nuts	Visual	All fasteners must be securely tightened. No missing or loose components.
Safety Catch	Visual	Must close properly and function as intended
Load Chain	Visual	Chain should be clean, lubricated, and free of nicks, bends, rust, stretching, or contamination.
Chain Guide Rollers	Visual	Rollers should rotate freely and maintain chain alignment within the chain wheel pockets.

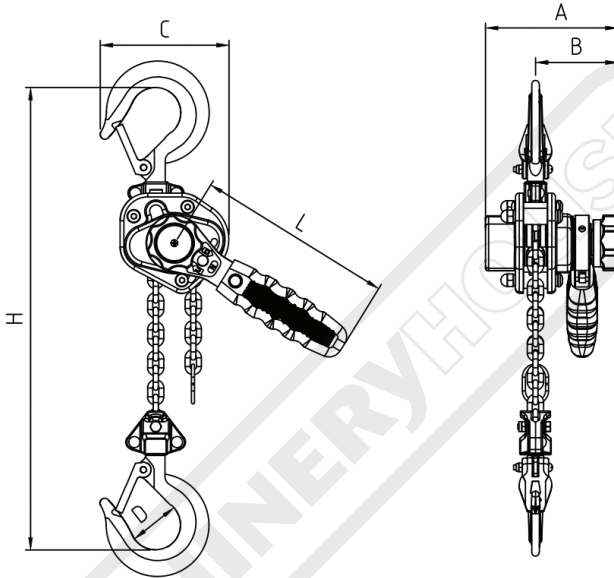
## FUNCTIONAL CHECKS

Function	Inspection Method	Expected Outcome
Lifting & lowering	Test with a light load, no less than the pre-load defined on page 4.	Operation should be smooth with audible pawl clicks during lifting. No symptoms of: 1) Load dropping when chain is released, 2) Load slipping during lowering, or 3) Uncontrolled descent.
Braking	Visual	Hook should hang square to the lifting unit or bottom block side plates.
Chain Guide Rollers	Visual	Rollers should rotate freely and maintain chain alignment within the chain wheel pockets.

## TROUBLESHOOTING GUIDE

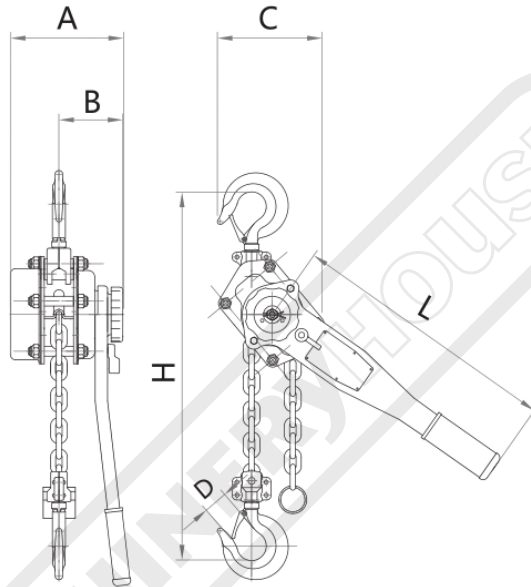
<b>Problem</b>	<b>Type of Inspection</b>	<b>Expected Outcome</b>
Chain Jammed	<ul style="list-style-type: none"><li>- Load not vertical (angle &gt; 60°)</li><li>- Swivel seized</li><li>- Dirt or debris in block</li><li>- Chain tangled</li><li>- Overloaded unit</li><li>- Brake jammed</li></ul>	<ul style="list-style-type: none"><li>- Align load vertically</li><li>- Free or replace swivel</li><li>- Clean block</li><li>- Straighten chain</li><li>- Use within rated capacity</li><li>- Return for service</li></ul>
Load Spinning	<ul style="list-style-type: none"><li>- Swivel seized</li><li>- Over-spinning during use</li></ul>	<ul style="list-style-type: none"><li>- Unload and free or replace swivel</li><li>- Ensure hook and fittings are secure</li></ul>
Load Slipping	<ul style="list-style-type: none"><li>- Worn brake mechanism</li></ul>	<ul style="list-style-type: none"><li>- Cease use immediately and service</li></ul>
No Braking	<ul style="list-style-type: none"><li>- Brake mechanism faulty or worn</li></ul>	<ul style="list-style-type: none"><li>- Cease use immediately and service</li></ul>

## SPECIFICATIONS & DIMENSIONS: (250Kkg & 500kg Lever Blocks)



MODEL		HLB250	HLB500
Capacity (kg)		250kg	500kg
Standards Lift (m)		1.5	1.5
Test Load (Tonne)		0.25	0.5
Headroom H (mm)		230	250
Effort on Lever to lift full load (N)		200	240
No. of chain falls		1	1
Dimensions (mm)	A (mm)	106	106
	B (mm)	66	66
	C (mm)	90	102
	D (mm)	32	34
Chain Size		4x12	4.3x12
Net Weight (kg)		2.3	2.8

## SPECIFICATIONS & DIMENSIONS: (800kg & 1.6 Tonne Lever Blocks)



MODEL		HLB800	HLB1600
Capacity (kg)		800kg	1.6 TONNE
Standards Lift (m)		1.5	1.5
Test Load (Tonne)		0.8	1.6
Headroom H (mm)		320	320
Effort on Lever to lift full load (N)		140	240
No. of chain falls		1	1
Dimensions (mm)	A (mm)	148	176
	B (mm)	88	102
	C (mm)	135	155
	D (mm)	32	36
Chain Size		6	8
Net Weight (kg)		7	11

## Product Warranty

### IMPORTANT INFORMATION

## 1 Year Limited Warranty

HAFCO offers a one year limited warranty on this product.

HAFCO warrants to the original retail consumer and purchaser that this product will be free from defects in materials and workmanship for one year from the date the product was purchased ('the warranty period').

HAFCO will rectify any defect in materials or workmanship appearing within the warranty period by repairing or replacing the product. HAFCO will offer a refund of the purchase price if the product cannot be readily and quickly repaired or replaced. HAFCO reserves the right to determine whether the product contains any defects in materials or workmanship covered by this warranty.

The benefits offered by this warranty are in addition to your rights and remedies that may apply in law. Our goods come with guarantees that cannot be excluded under the Australian Consumer Law. You are entitled to a replacement or refund for a major failure and for compensation for any other reasonable foreseeable loss or damage. You are also entitled to have the goods repaired or replaced if the goods fail to be of acceptable quality and the failure does not amount to a major failure.

### How to make a warranty claim

To make a claim under this warranty, the product or part must be returned for examination to an authorised service centre nominated by Hare and Forbes Machineryhouse together with proof of purchase such as the dated sales receipt and an explanation of the problem to be rectified.

Any costs incurred in making a claim under this warranty or returning the product to an authorised service centre is to be borne by the person making the claim unless other wise agreed by Hare and Forbes Machineryhouse. If Hare and Forbes Machineryhouse determines the product contains a defect in materials or workmanship that is covered by this warranty then Hare and Forbes Machineryhouse will bear the cost of returning the repaired product or replacement product to the person making the claim. If We determines the product does not contain a defect in materials or workmanship covered by this warranty then the cost of returning the product will be at the expense of the person making the claim.

### Exclusions

This warranty does not apply to any defect caused by, or associated with misuse, abuse, lack of maintenance, negligence or accidents, repairs or alterations.









#### **ENVIRONMENT PROTECTION**

Recycle unwanted materials instead of disposing of them as waste. All tools, accessories and packaging should be sorted, taken to a recycling centre and disposed of in a manner which is compatible with the environment. When the product becomes completely unserviceable and requires disposal, drain any fluids (if applicable) into approved containers and dispose of the product and fluids according to local regulations.

Imported by

**HARE & FORBES**  
**MACHINERYHOUSE**

**Australian Distributor**

Hare & Forbes  
Machineryhouse  
Sydney - Melbourne  
Adelaide - Brisbane - Perth

Ph: 1300 202 200  
[www.machineryhouse.com.au](http://www.machineryhouse.com.au)

**MACHINERYHOUSE**

**New Zealand Distributor**

Machineryhouse  
Auckland  
Christchurch

Ph: 0800 142 326  
[www.machineryhouse.co.nz](http://www.machineryhouse.co.nz)